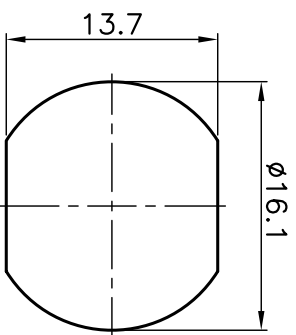
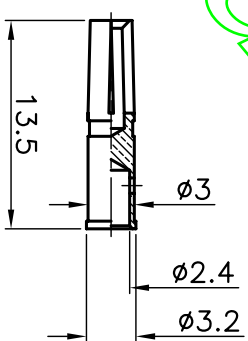
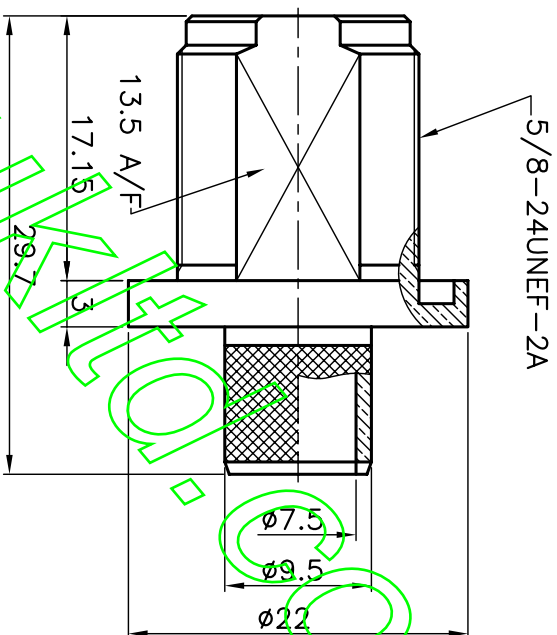
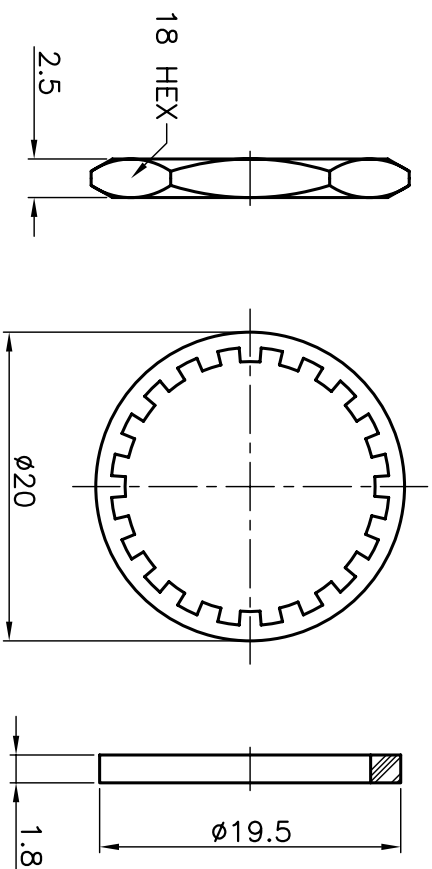
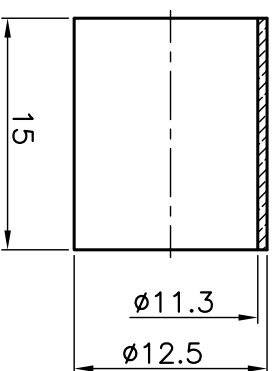


ISS	REVISIONS
	DESCRIPTION \ DATE

RoHS COMPLIANT



PANEL HOLE



**CONNECTORS CABLES**  
**Specialists Ltd**

**Specialists Ltd**

TITLE: N FEMALE BULKHEAD CRIMP  
(FOR RG214/U)

PART NO: NBJCR214SS

DR. NO: 55006-016(N007B214-TSS)

ISO 9001 certificate

APRD:	UNLESS OTHERWISE SPECIFIED TOLERANCES
CHKD:	0.5-6 = ±0.2
DR:	>6-30 = ±0.4
DATE: 11/14/11	>30-120 = ±0.6
SHEET: .	>120-315 = ±1.6
	>315-1000 = ±1.6
	ANGLES = ±5°
UNIT: mm	
SCALE: 2/1	

NO.	DESCRIPTION	MATERIAL	FINISH
	NUT	BRASS	SILVER
	WASHER	STEEL	SILVER
	GASKET	RUBBER	BLACK
	CONTACT PIN	BRASS	SILVER
	INSULATOR	TEFLON	WHITE
	BODY	BRASS	SILVER
		MATERIAL	FINISH